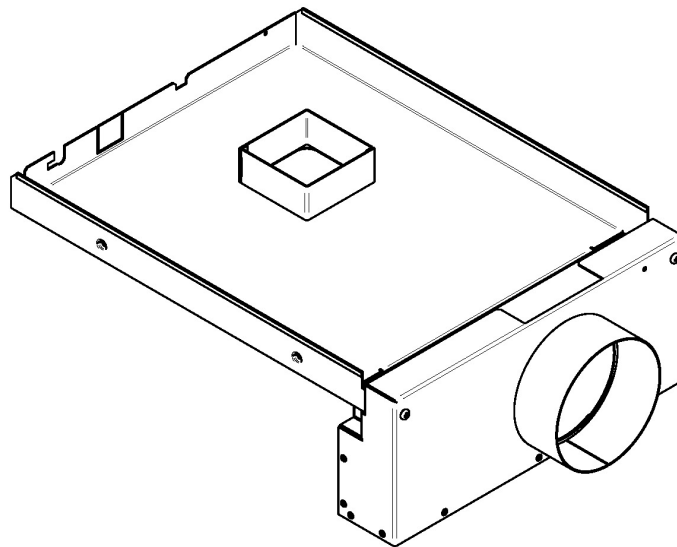




FRESH AIR INTAKE KIT FOR WOOD STOVE ON LEGS
AC01316

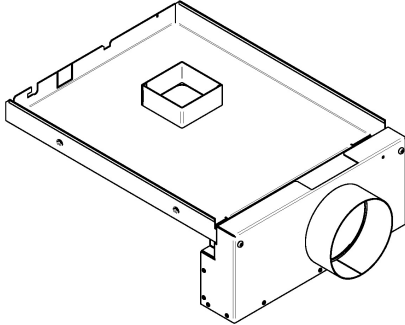
INSTALLATION INSTRUCTIONS



Stove Builder International inc.
250, rue de Copenhague
Saint-Augustin-de-Desmaures Quebec, Canada G3A 2H3

This fresh air intake kit for wood stoves on legs contains the following parts:

5" (127mm) ADAPTER



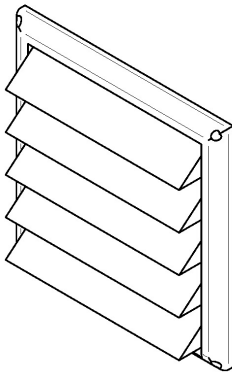
1x

BLACK METAL SCREW #10 X 1/2"
TYPE "A" PAN QUADREX



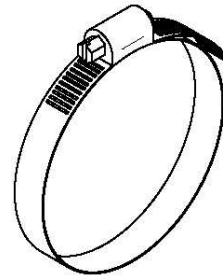
9x

5" (127 mm) INTAKE CAP



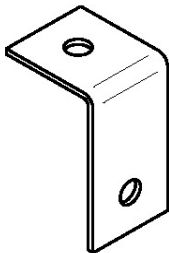
1x

COLLAR (4.93" TO 5.75")



2x

FIXATION BRACKET



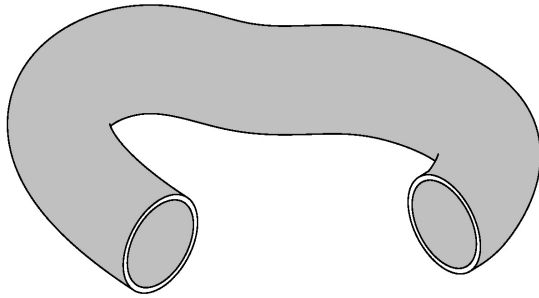
1x

BLACK SELF-ADHESIVE
1/8" X 3/8" X 3'

1x

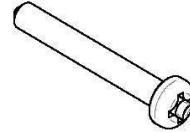
Other required parts (not included):

FLEXIBLE INSULATED FRESH AIR INTAKE PIPE (4' LENGTH / 5" DIAMETER) AC02090



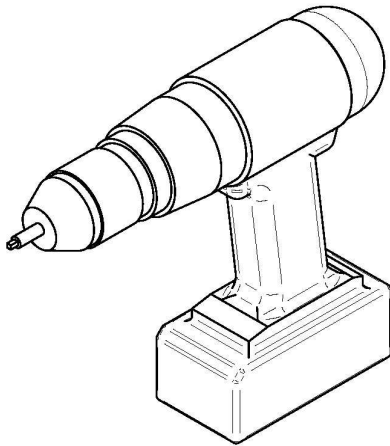
1x

SCREWS FOR INTAKE CAP

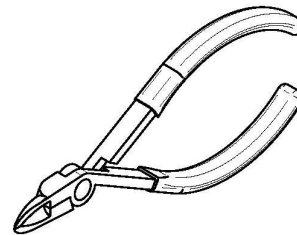


4x

Tools required for installation:



Powered driver



Cutting pliers

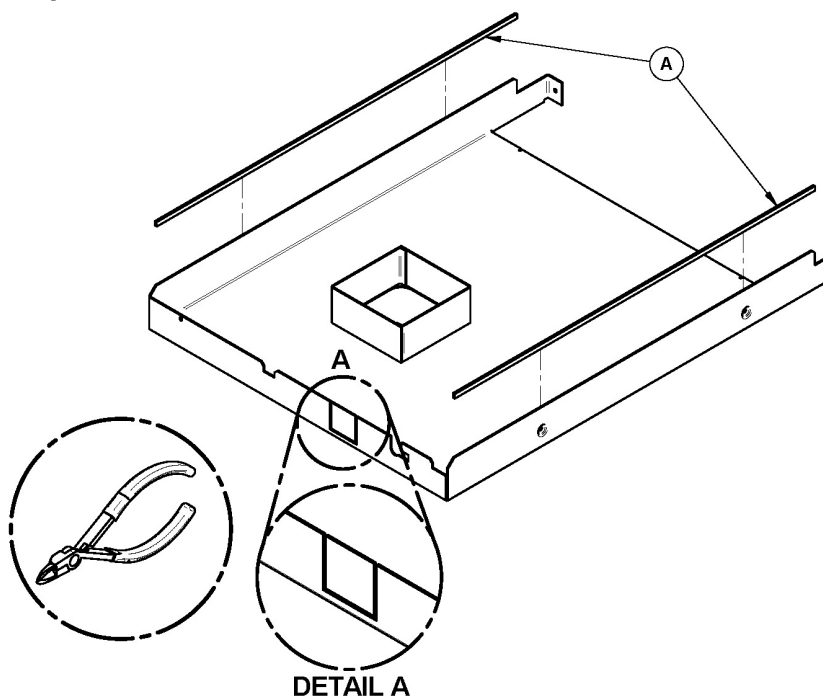
Note:

5" flexible insulated pipe is not included because the length of pipe needed may vary from an installation to another. A 5" (127mm) diameter X 4' (1.2 m) flexible insulated pipe is available under part # AC02090.

WARNING: THE INTAKE CAP MUST BE INSTALLED OUTSIDE OF THE BUILDING.

Installation

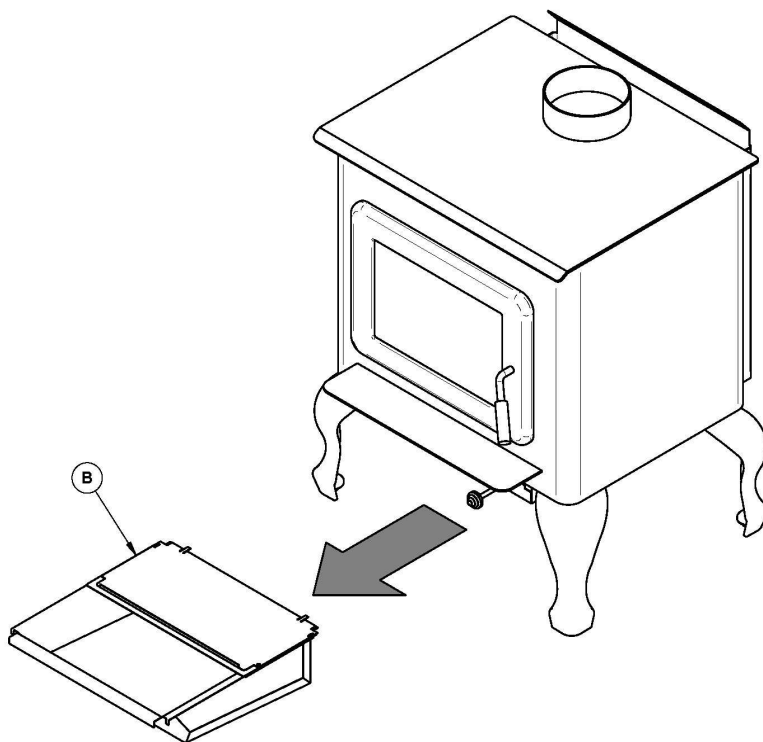
Step 1:



- Install the self-adhesive gasket (A) on the edges of the adapter plate.
- If your stove is equipped with a **left to right air control mechanism**, remove the rectangular micro-jointed piece in the front of the adapter plate using a pair of cutting pliers (see **Detail A**).
- If your stove is equipped with a **front to back air control mechanism**, do not remove the rectangular micro-jointed as described above.

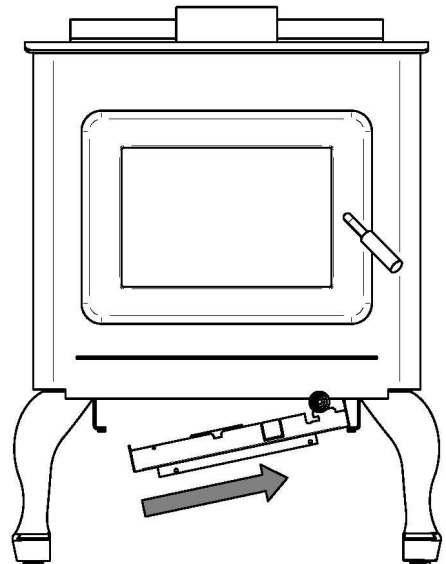
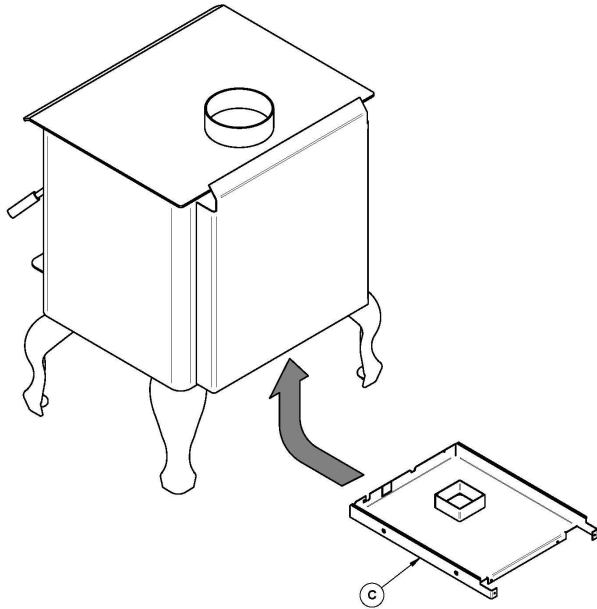
Step 2:

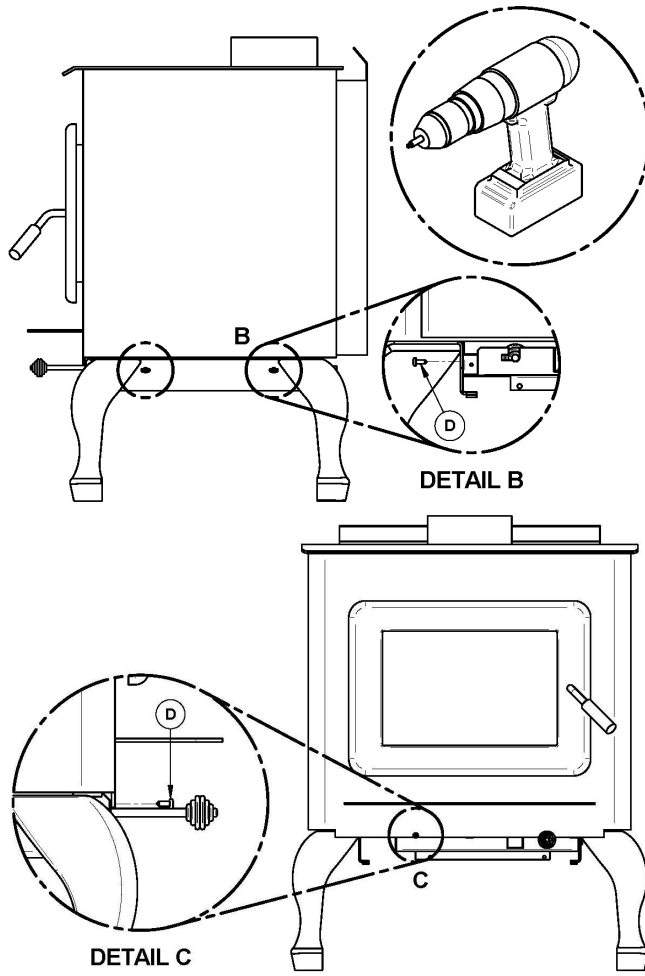
Remove from the stove the ash drawer (B).



Step 3:

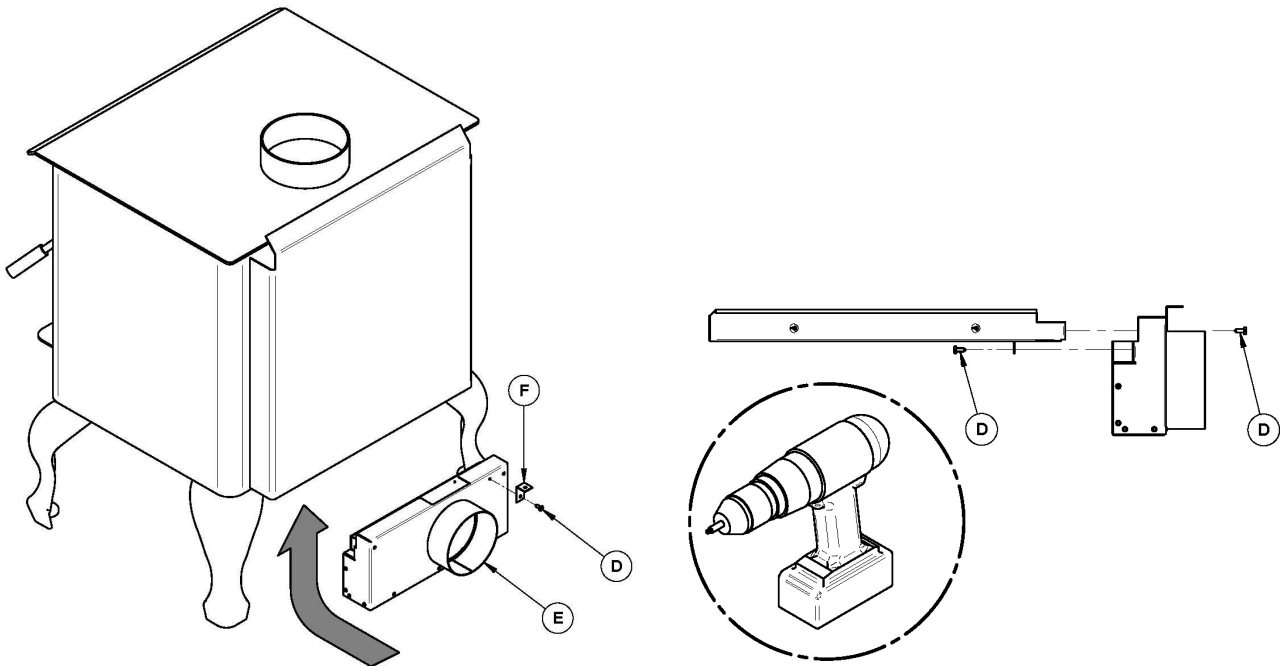
Insert the right side of the fresh air adapter plate (C) under the firebox and above the right ash drawer support and lift the other side of the adapter. Maintain the adapter plate to the underside of the combustion chamber and against the right ash drawer support while aligning the square ash dump hole of the adapter with the ash dump opening of the stove. Secure the adapter to the side of the drawer support (**Detail B**) and at the front of the stove (**Detail C**) using three screws (D) and a powered driver.





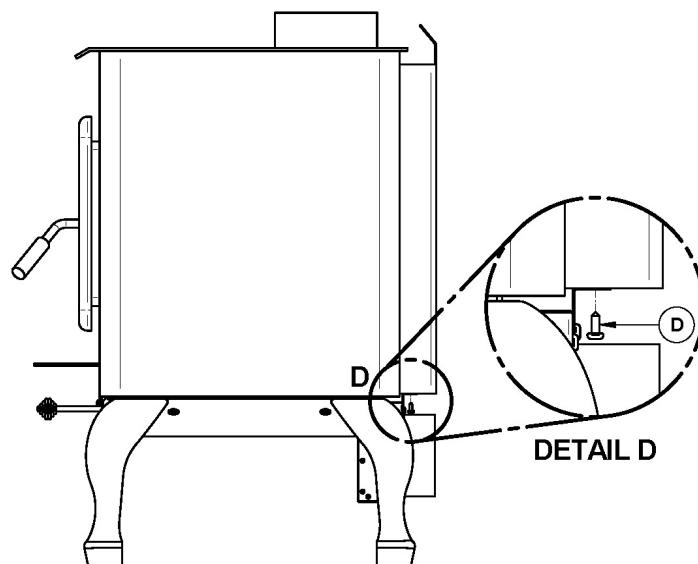
Step 4:

Secure the bracket (F) to the rear fresh air adapter housing (E) with a screw (D). Then attach the rear fresh air adapter housing (E) to the adapter plate previously installed using 4 screws (D) and a powered driver.



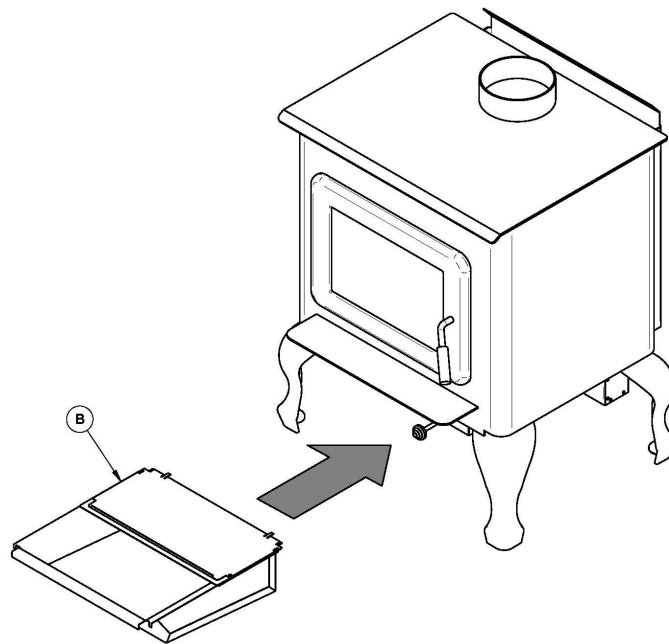
Step 5:

Complete the assembly of the fresh air adapter by fixing the support bracket (F) in the rear shield of the stove with a screw (D) and a powered driver.



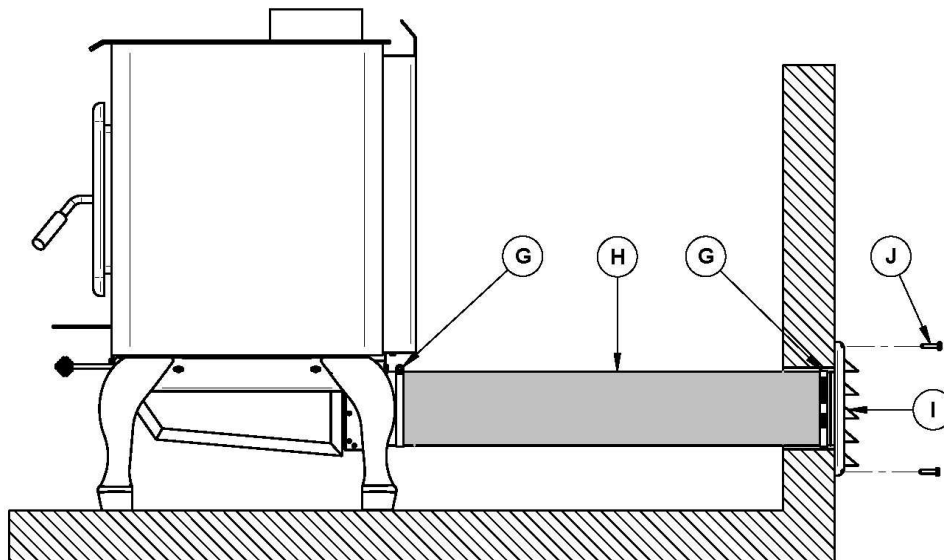
Step 6:

Reinstall the ash drawer (B) under the stove.



Step 7:

Make a 6" x 6" (152 mm x 152 mm) opening in the exterior wall behind your stove. Attach the 5" flexible insulated pipe (H) to the fresh air adapter flange with a collar (G). Attach the other end of the pipe (H) to the intake cap (I) located outside with a collar (G). Attach the intake cap (I) to the exterior wall using four screws (J) not included in this kit.



Note: Periodically inspect the air inlet path to make sure it is not clogged. A clear sign of obstruction of air is the accumulation of smoke when the door is closed and you burn kindling.