

HOW TO REPLACE THE COMBUSTION BLOWER

Document #

HT00146A

Model Name and Number

OSBURN 3000

Document Version

1.0

Serial Number

100

to

...

Date

12-09-2017

WARNING



NEVER MANIPULATE OR REPLACE A COMPONENT WHEN THE STOVE IS HOT.

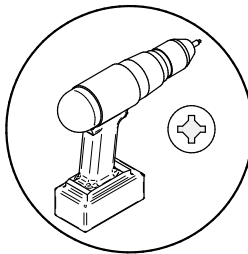
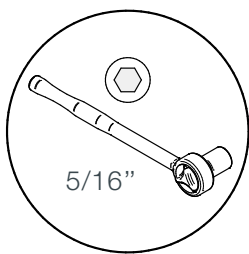
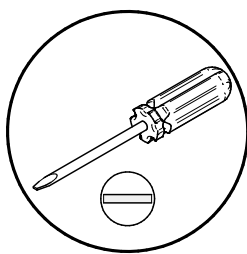
DANGER



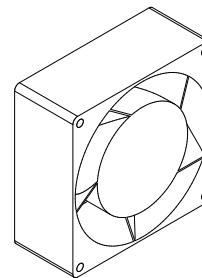
DISCONNECT ALL SOURCE OF POWER BEFORE MANIPULATING OR REPLACING A COMPONENT.

For part numbers visit our web site <https://www.osburn-mfg.com/en/replacement-parts/>
 For more information, contact us at 418-908-8002 or by email at tech@sbi-international.com

TOOL(S) REQUIRED :



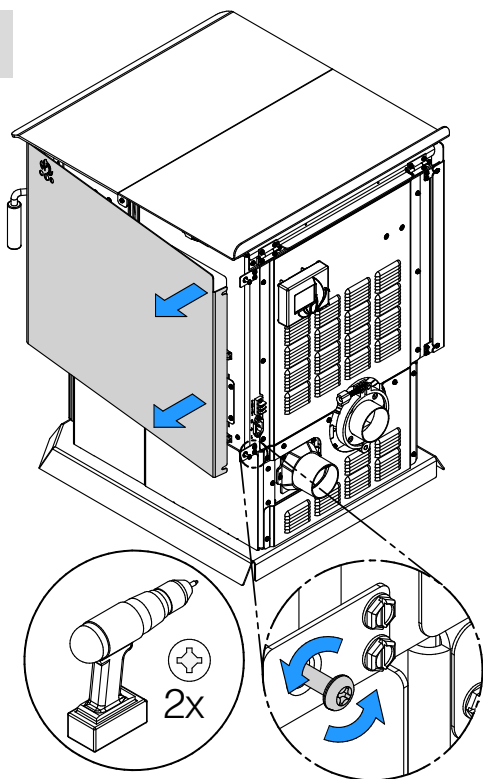
PART(S) REQUIRED :



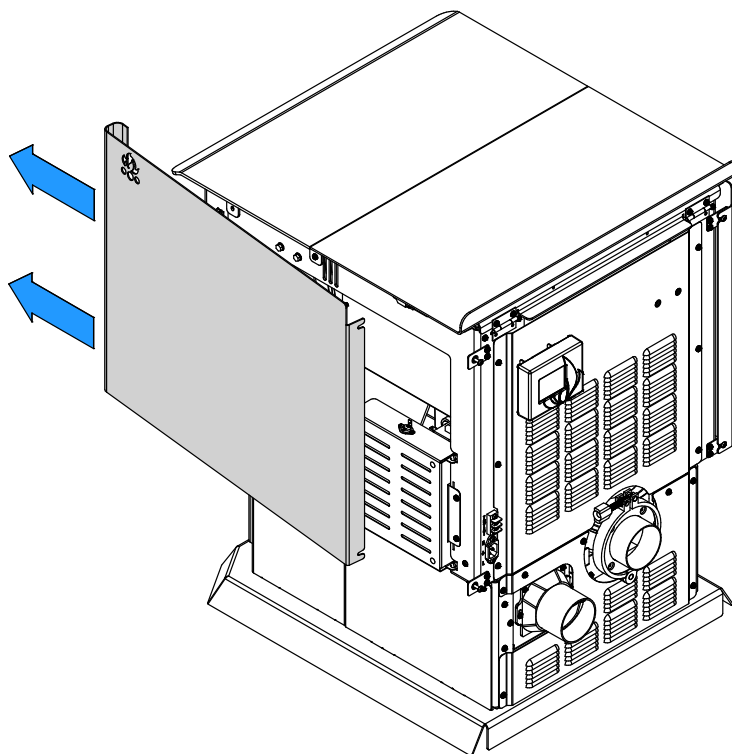
Combustion blower

PROCEDURE :

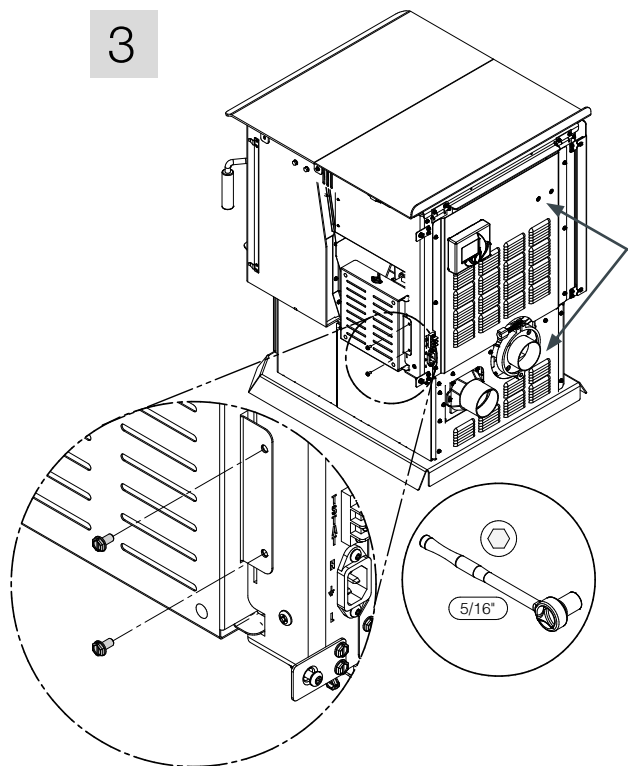
1



2

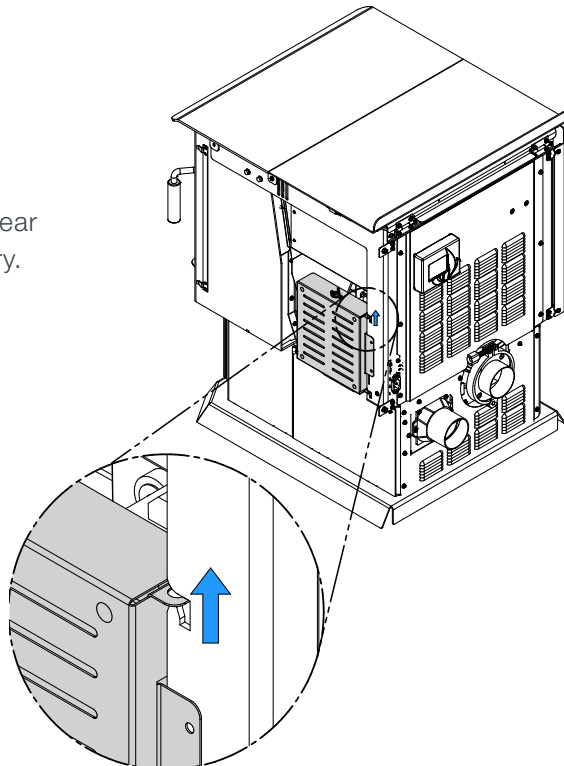


3

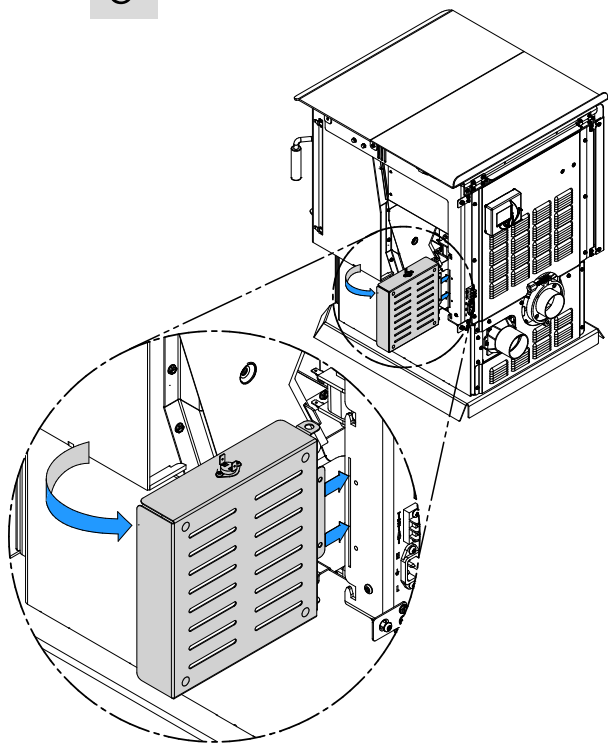


4

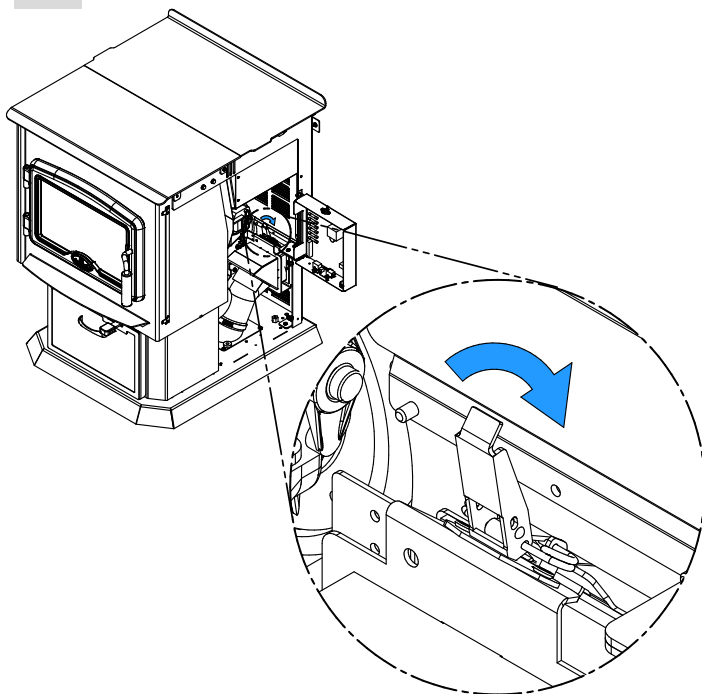
Remove the two rear panels if necessary.



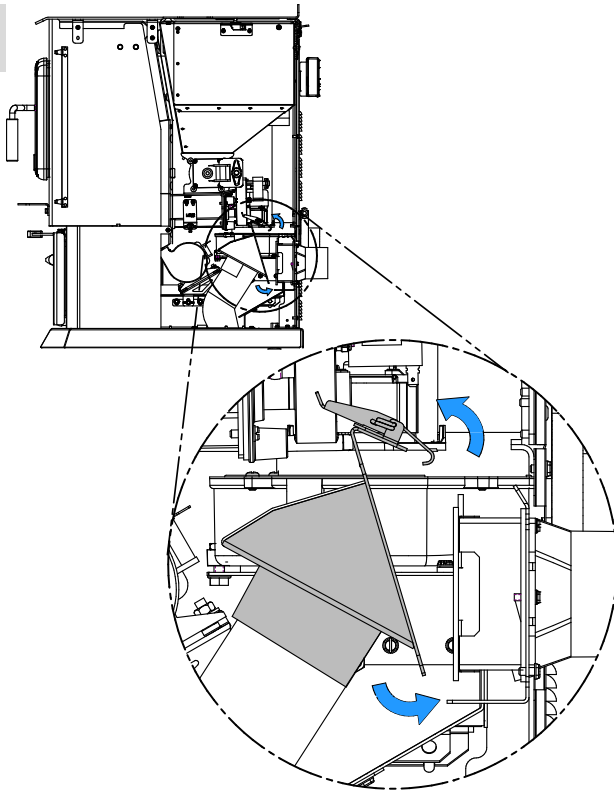
5



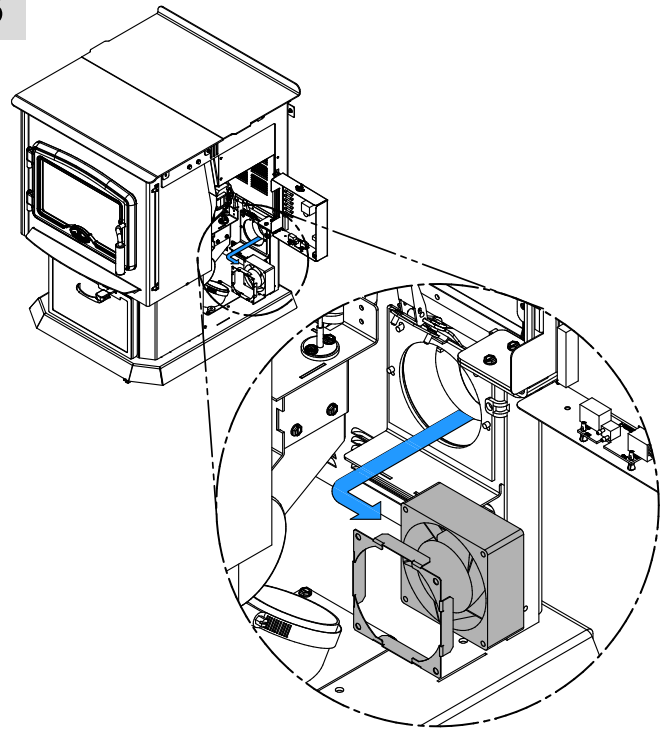
6



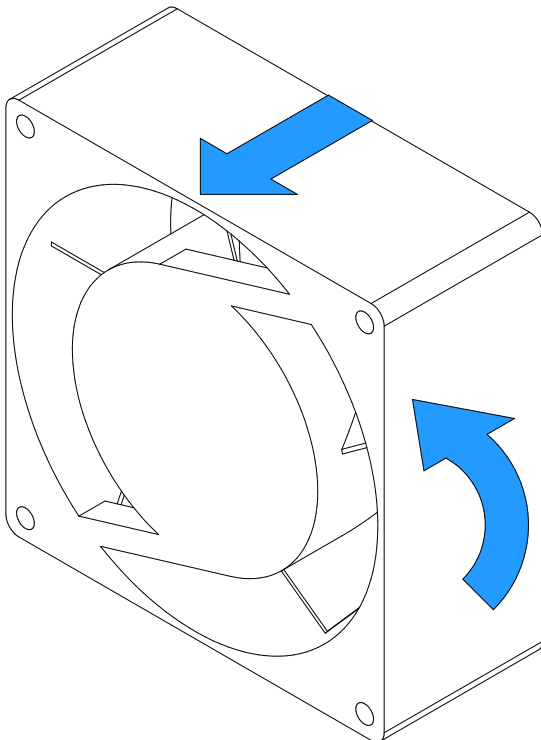
7



8



9



Make sure the arrows are positioned in the same direction as the image.